

Operation Manual

SPIDER WEB



 **WARNING**

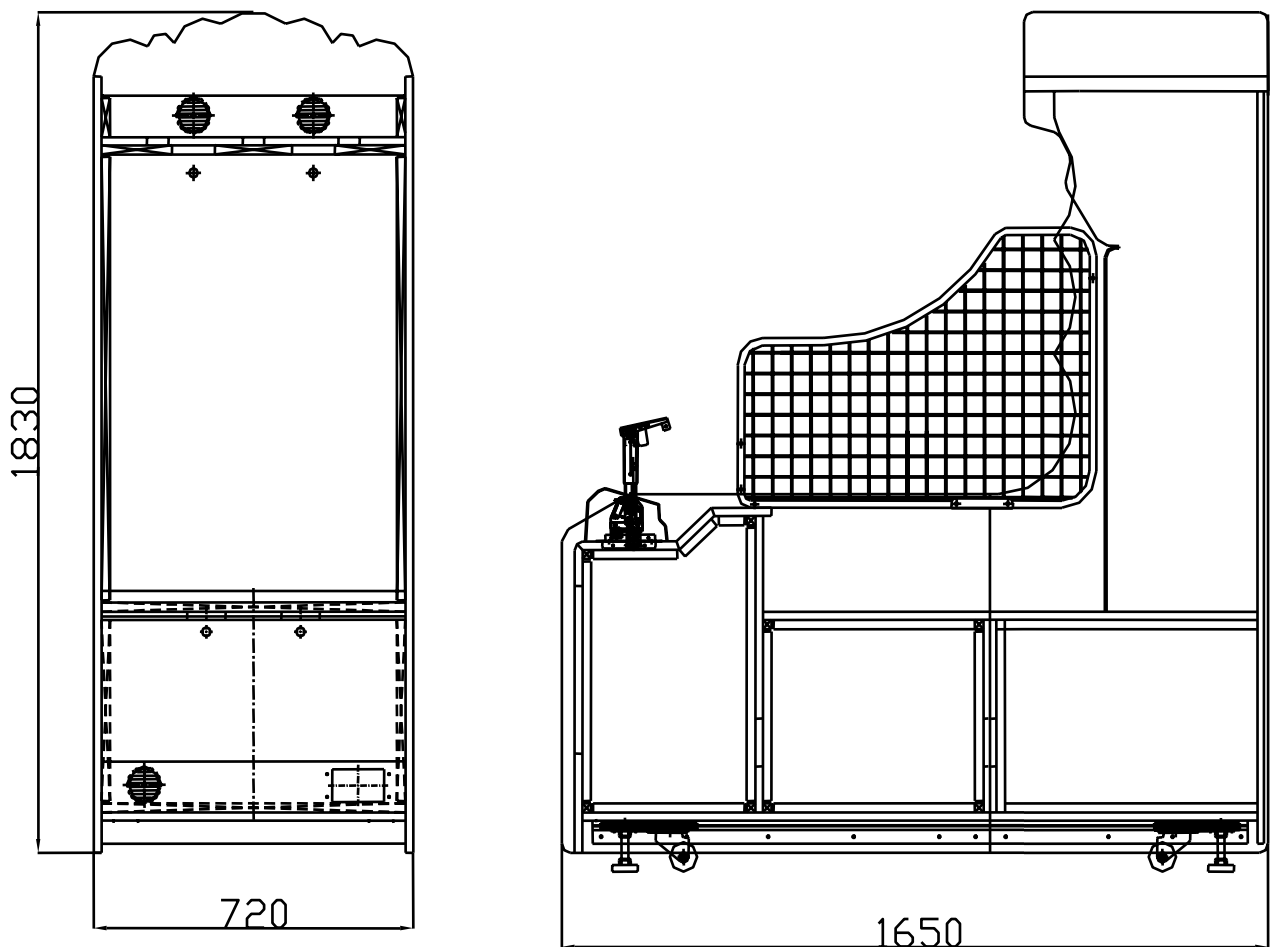
Be sure read this Operation Manual before using your machine to ensure safe operation.

SERVICE: Bromley Inc 420 Crossen Elk Grove Village, Illinois 60007

Tel: 847-427-0639

1. Specification

- (1) Rated power supply : AC110V/220V 50/60Hz
(Note: As the actual voltage, please refer the label of the machine.)
- (2) Power Consumption : Min60W Max 405W
- (3) Dimensions : W720×D1650×H1830(mm)
- (4) Weight : about 130kg
- (5) Environment Condition: Temperature(indoor): -10°C~+40°C
 - : Humidity: ≤90%
 - : Atmospheric pressure: 86Pa~106Pa



Note: Game parameters are subject change without notice.

2 Package contents

Be sure to check that you have received all packages indicated below.

(1) Body Assembly: 1 unit

(2) Accessories: (NOTE: The actual spare parts please refer the packing list.)

No.	PART No.	NAME	SPEC.	Q'TY	GRAPHIC	NOTE
1	S103-801-000	Wire cable	15A-250V 1.8m	1		For AC220V
2	S103-401-000	Fuse	3A-250V φ5-20	2		For AC110V
	S103-402-000		6A-125V φ5-20			
3	S103-701-000	Manual	English	1		
4	S103-403-000	Key	171	2		Maintenance door
	S103-404-000		2222	2		Coin box
5	S103-405-000	Micro switch (FTM)	MN2-0306D	4		
	S103-406-000		SM3-0311C	1		
6	S103-802-000	Sensor	HJ18-M53	1		
	S103-803-000		HJ18-M53DHN	1		
7	S103-407-000	Spot light	R11 12V-20W	1		
8	S103-408-000	Bulbs	12V/8W(2Pins)	5		
9	S103-409-000	Wrench	CR-V2.0	1		
10	S103-410-000	Belt	860XL-9.8	2		
11	S103-101-000	Trigger spring	ZZW.03-02-07 (Add1)	1		
	S103-102-000		ZZW.03-02-07 (Add2)	1		

3 Installation

! WARNING

- For indoor use only.

Locations to avoid installing

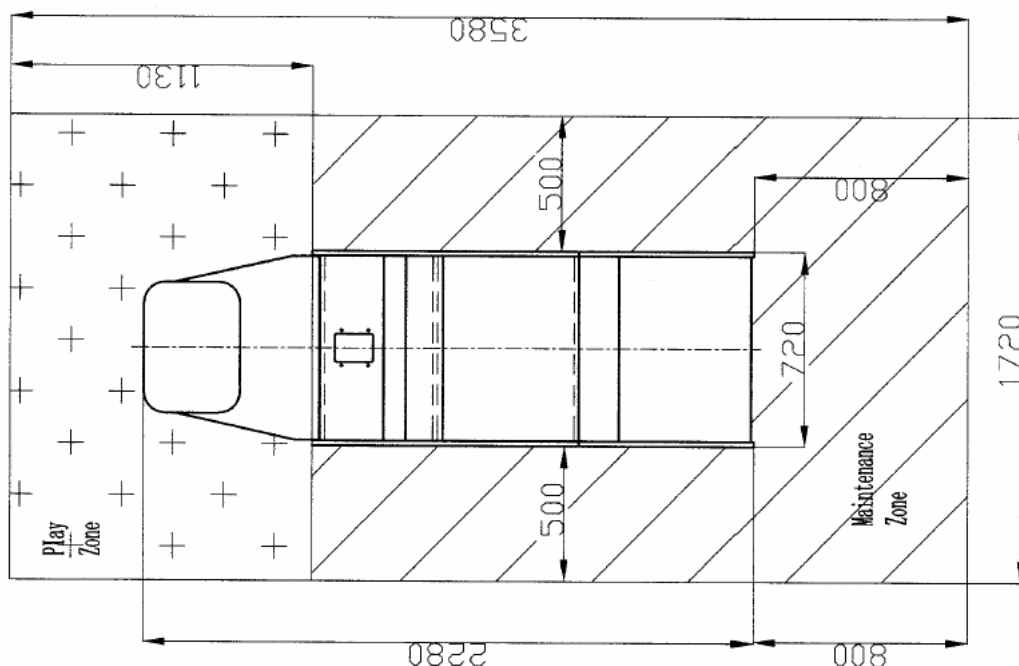
! WARNING

This machine is designed for indoor use only. Never install this machine outdoors or at any of the following:

- places where dew may develop due to temperature differences;
- Locations close to hazardous article;
- Locations close to a heating instrument;
- Close to instruments that can easily catch fire;
- Unstable or vibrating places;
- Damp or dust places.

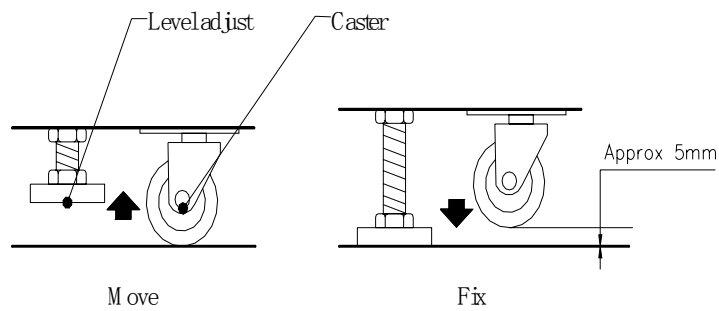
3-1. Play zone:

This machine requires space for playing the game (play zone), and for maintenance (maintenance zone), as shown below. Be sure to leave enough space when installing the machine.



3-2. Game leveling

1. Install this machine on a flat surface. Adjust levelers to lift casters off the ground and level game.



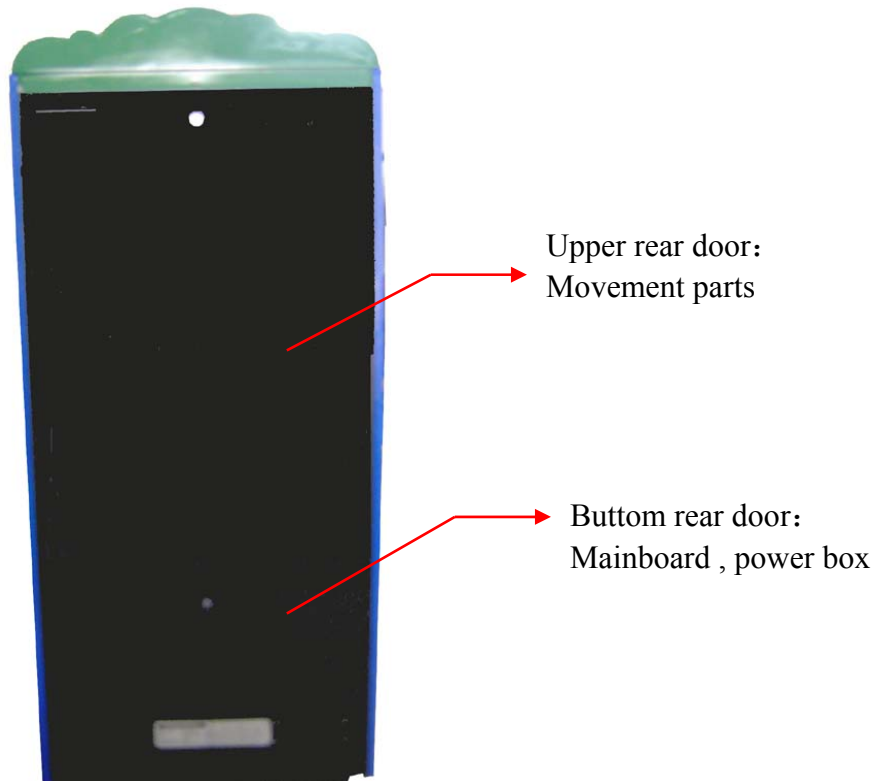
2. When moving to far distance, the machine must be packed. When packing or binging the machine, it must be packed with a bolster on surface in order to protect the machine.

WARNING

- Unplug game before moving.
- The unbending moving, turnover and transport will attain the machine.

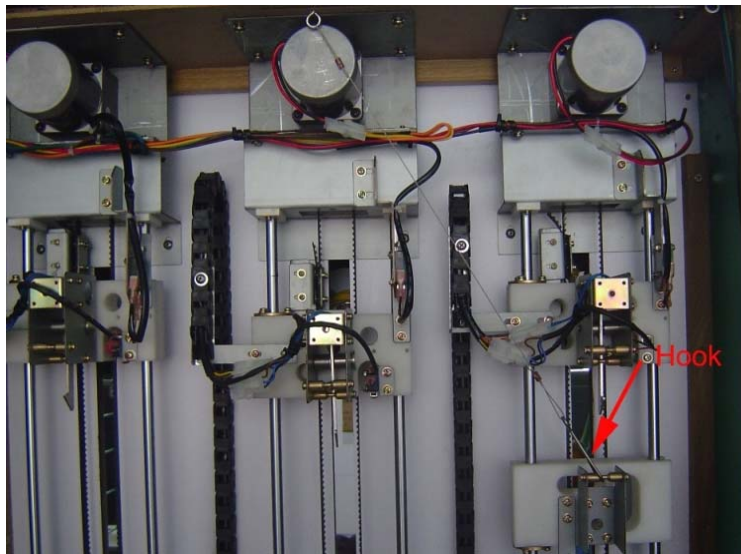
3-3. Maintenance

Open the rear door or upper rear door the machine can maintain inside.

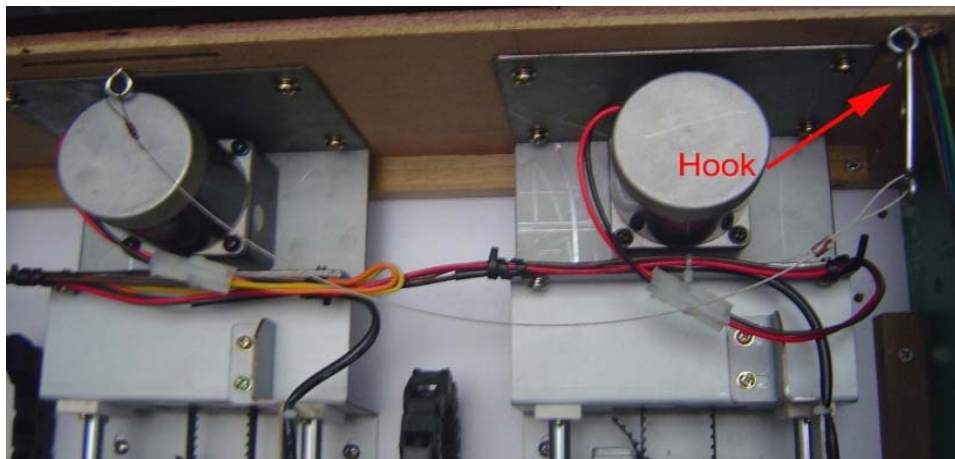


(1) How to use the hook:

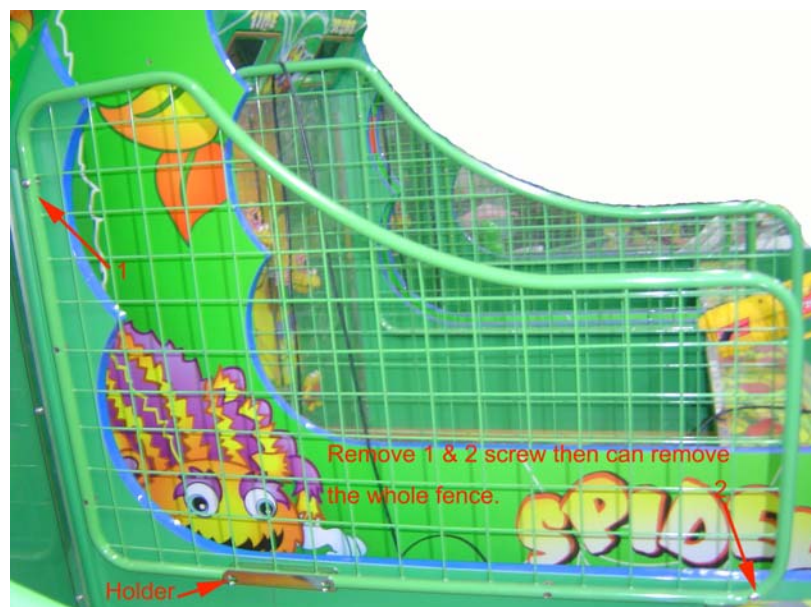
When you service the ladybugs, please use the hook for holding them up which prevent them from suddenly dropping to hurt fingers.



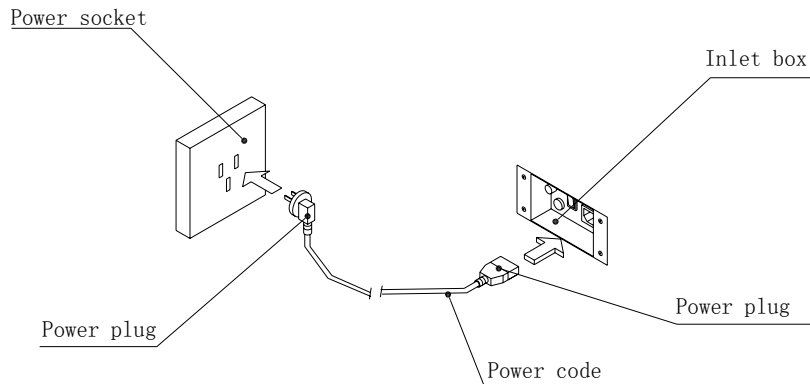
If you don't need to service, please place the hook like this:



(2) How to remove the fence: remove 2 screws can remove the fence.

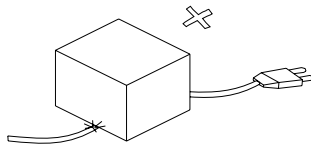


4. Connecting the power cord

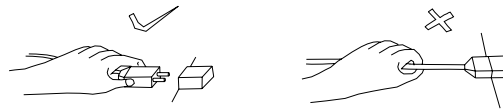


⚠ WARNING

- Do not put heavy items on power cord.



- Hold the power plug instead of the wire to draw the power cord out of the socket.

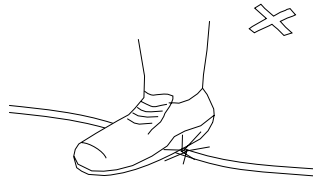


- Do not touch the power plug with a wet hands.



- Do not draw or twist the cord or near a heat source.

- Do not touch the power plug with a wet hands.



- run this machine with the correct power configuration.

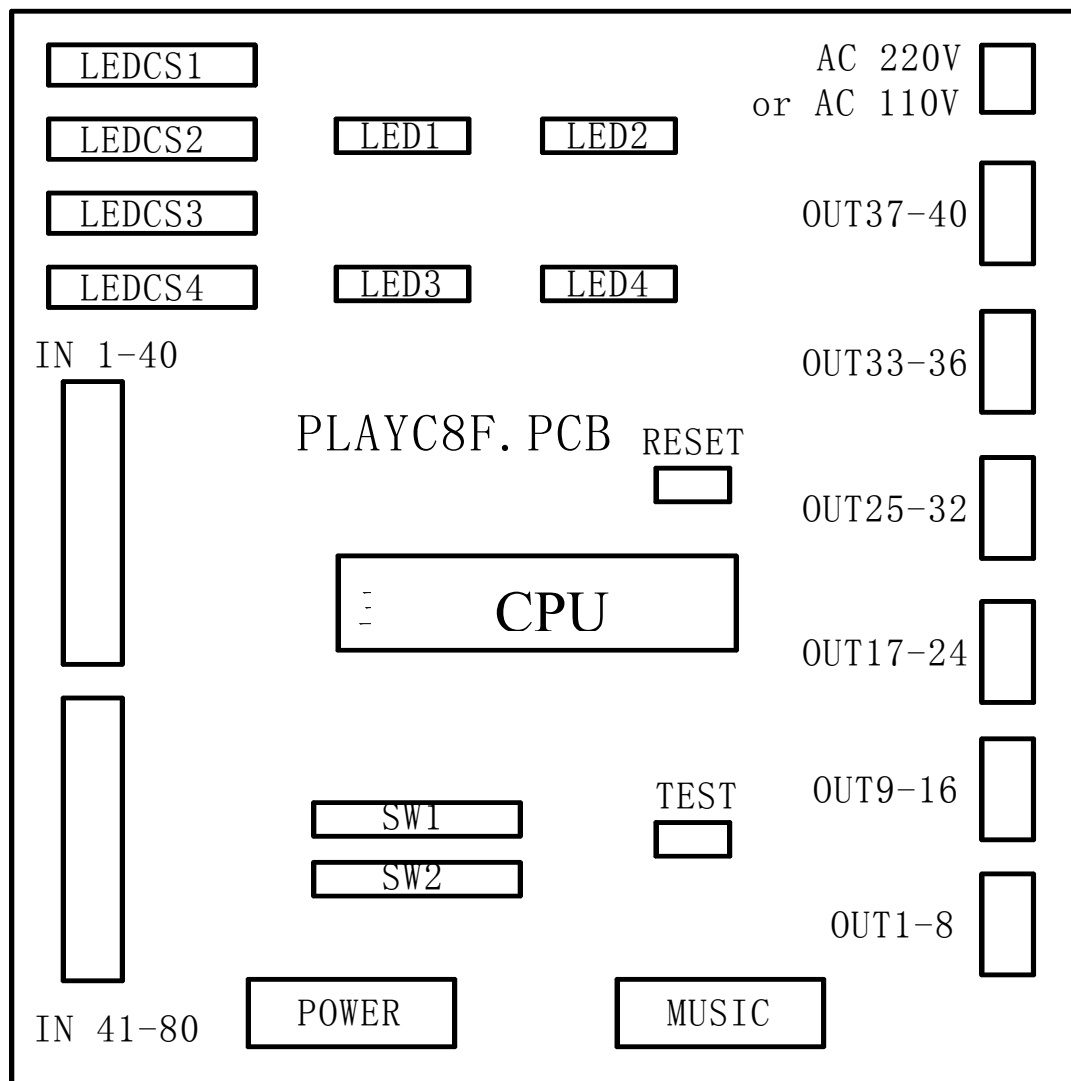
5 Instructions for play

1. Insert coins, the game starts.
2. The spiders will go down to catch the ladybugs and then get back to the top.
3. Player tries to aim at the spider target and shoot them.
4. If the player shoots the spider, it will stop for a while and then go on moving.
5. If one of the spiders holding the ladybug to the top, the game is over.
6. If the time is over and no spiders can get back to the top, you win.

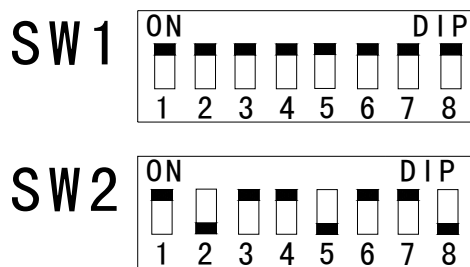
6 Switches control signal and illuminate

- 1 Refer the attached I/O chart and the schematic.
- 2 To adjust DIP, please refer the I/O chart. The initial setting is in capitalization.

3 Main board:



4. Adjust DIP: (the initial setting)



The above are subject change without notice.

7 Parameters setting

(1) coin per game:

	Option	SW11	SW12	Note
SW11	1	ON	ON	1 coin 1 game
	2	off	off	2 coin 1 game
SW12	3	on	off	3 coin 1 game
	4	off	off	4 coin 1 game

(2) Play time:

	Option	SW13	SW14	Note
SW13	45s	on	on	45 seconds per game
	60s	OFF	ON	60 seconds per game
SW14	75s	on	off	75 seconds per game
	90s	off	off	90 seconds per game

(3) Difficulty adjust :

	Option	SW13	SW14	Note
SW15	Easy	on	on	
	Mid	OFF	ON	
SW16	Difficulty	on	off	
	Most Dif	off	off	

* Regarding to the setting of the game, please refer the I/O chart which attach to the machine.

8 Maintenance and inspections

1) Remove power before servicing game.

To avoid short circuit, the power must be removed before touching inside. If you have to switch on the power, please refer the operation manual.

2) Choose the appropriate replacement parts.

Using the wrong part will lead to short circuit or break down the main board.

3) Do not unbending remove, install or change equipment.

It will lead to short circuit and machine malfunction even can bring a fire.

4) Do not put vases with water, cups or containers on the machine. Also chemical or heavy items are not allowed.

The spill will cause short circuit, and people will be injured by the falling items which also can destroy the machine.

5) Do not place any items in front of the air outlet of the machine.

Or it will cause the temperature higher inside and affect the game even break down the machine.

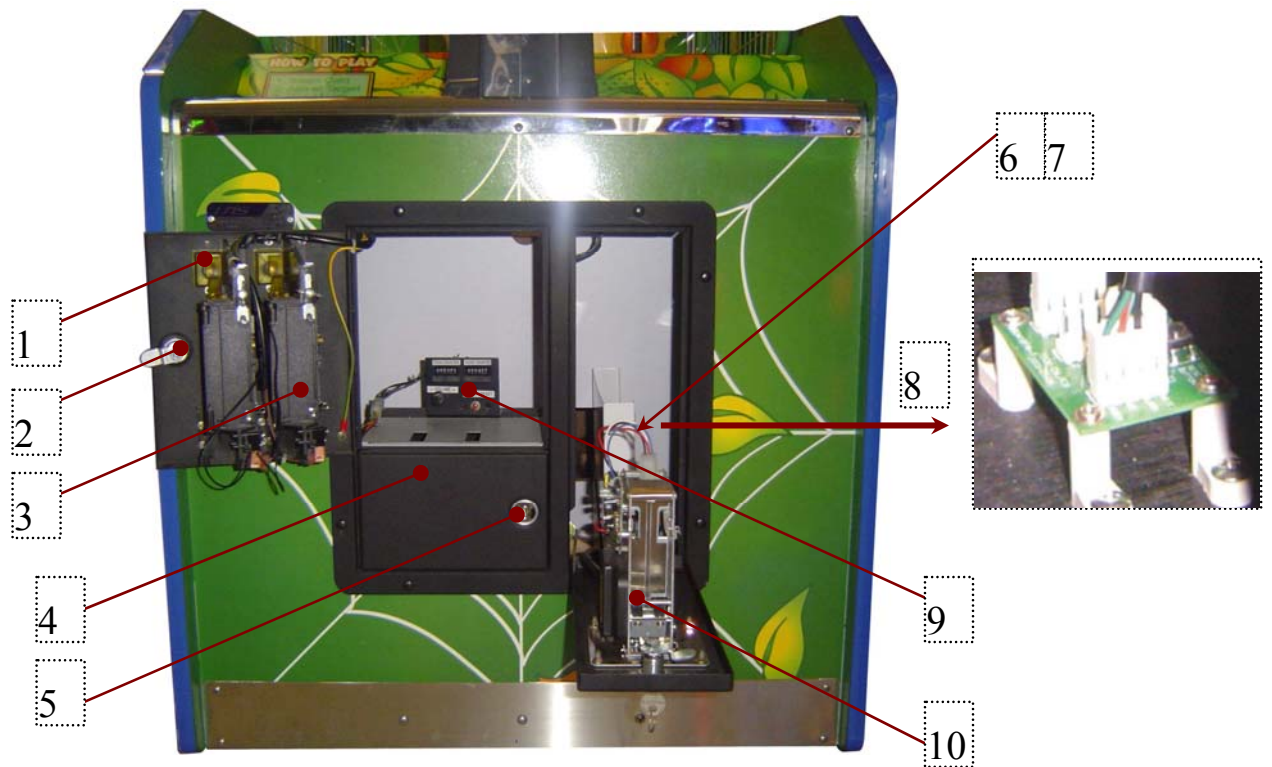
6) Do not unbending maintain the machine.

Because it can cause short circuit and lose control of the machine and any other faults.

9 Overall Structure



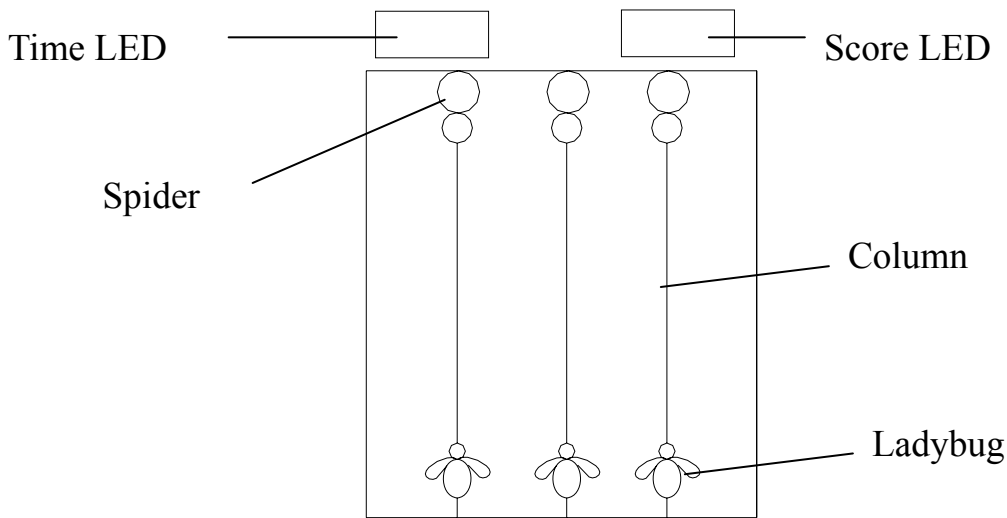
9-1 Front door



1. Coin mech: Use for insert coins which is fit for this machine.
2. Tickets payout: Tickets will be come out when the game is over.
3. Lock 2222: Open the coin door.

NO	PART NO.	NAME	QT Y	SPEC.	NOTE
1	S103-408-000	Coin mech blub	2	12V 8W	
2	S103-403-000	Coin door lock	3	171	
3	S103-411-000	Coin mech	1		
4	S103-103-000	Coin box	1		
5	S103-404-000	Coin box lock	1	2222	
6	S103-104-000	Ticket bin	1		
7	S103-105-000	Ticket bin bracket	1	Q235	
8	S103-804-000	Ticket drive board	1	TICK-CH.PCB	
9	S103-805-000	Counter	1		
10	S103-806-000	Ticket Assy			

9-2 Play field:



1. Time LED: Display the playing time.
2. Score LED: Display the score when you hit the ladybugs.
3. Spider: The spiders will coming down when the game starts.
4. Ladybug: The ladybugs will climb towards the spiders.
5. Column: All spiders and ladybugs will move along the columns.

9-3 Power socket:

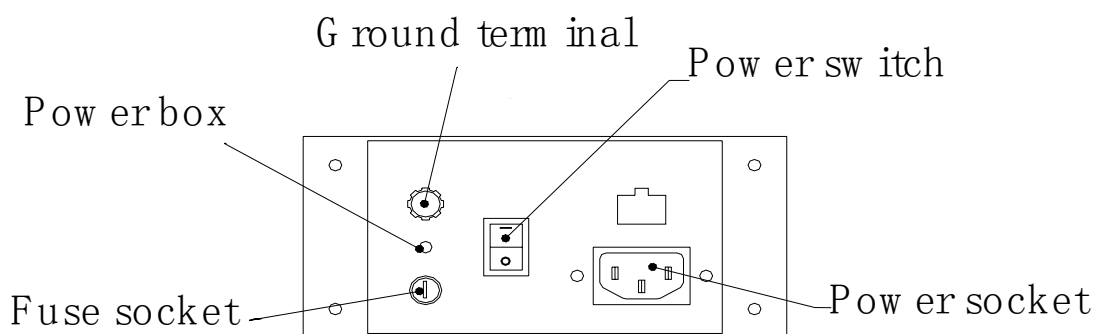
This machine's supply voltage is AC "110V±5% 60Hz, or 220V±5% 50Hz".
(For actual supply voltage, please refer the label of the machine.);

Fuse specifications:

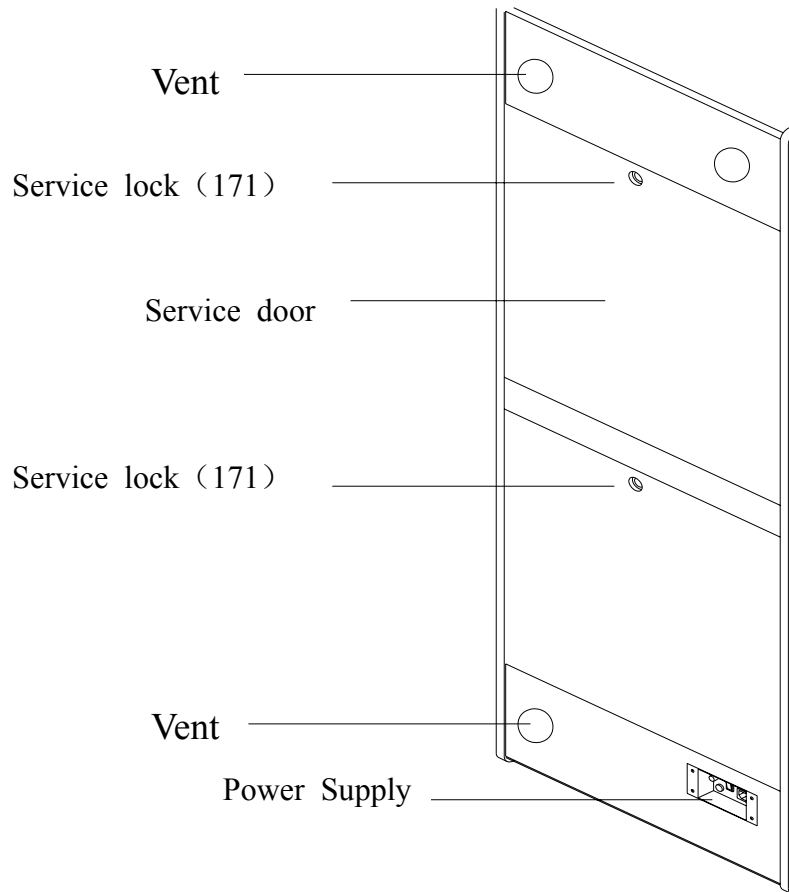
- 110V 60Hz use 110V 5Aφ5-20mm or
- 220V 50Hz use 220V 3Aφ5-20mm

Power switch : Main game power

Ground terminal: Use to connect the ground cord.



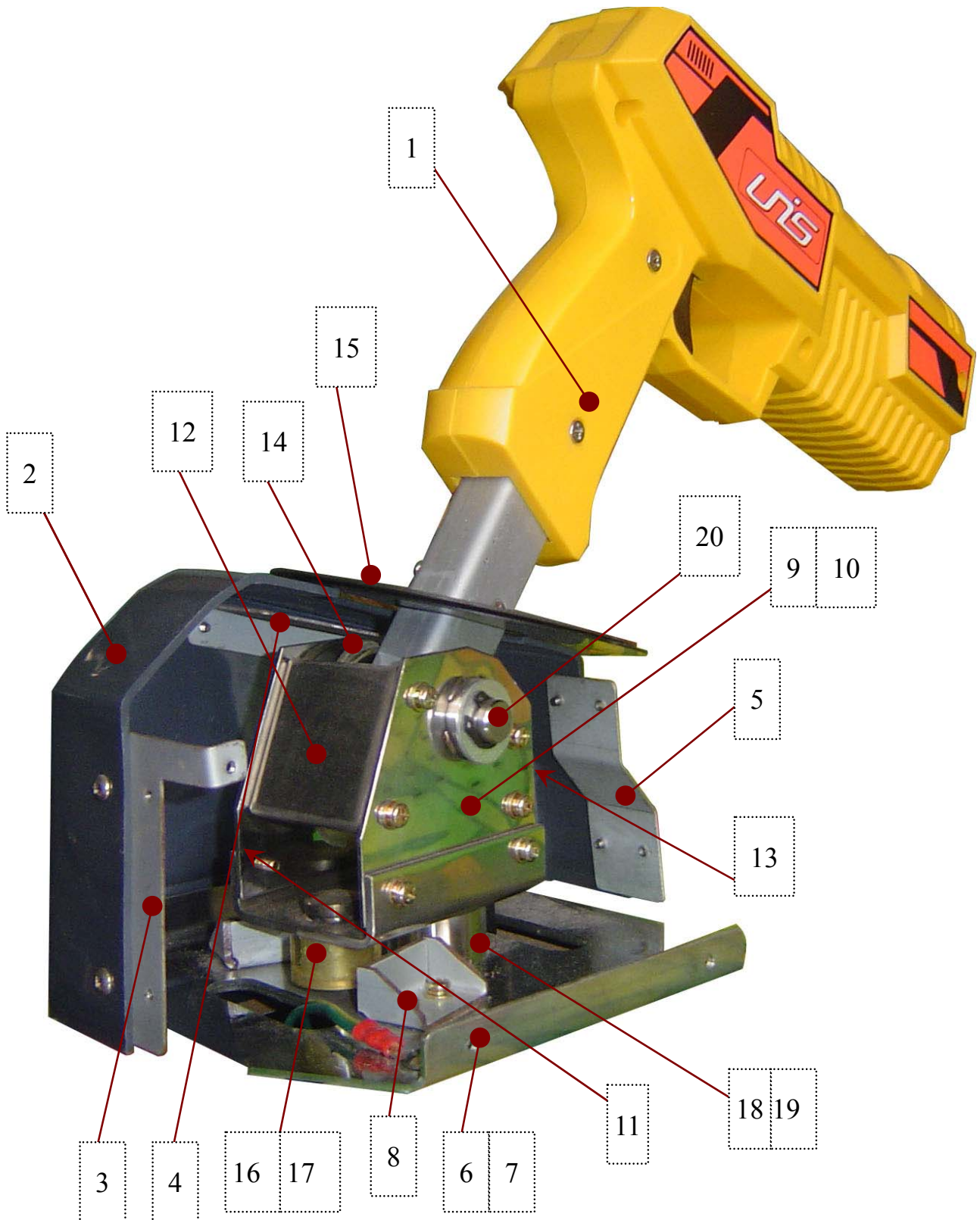
9-4 Service Door:



Open the service door to maintain the components inside. For example: PC board, sound board, etc.

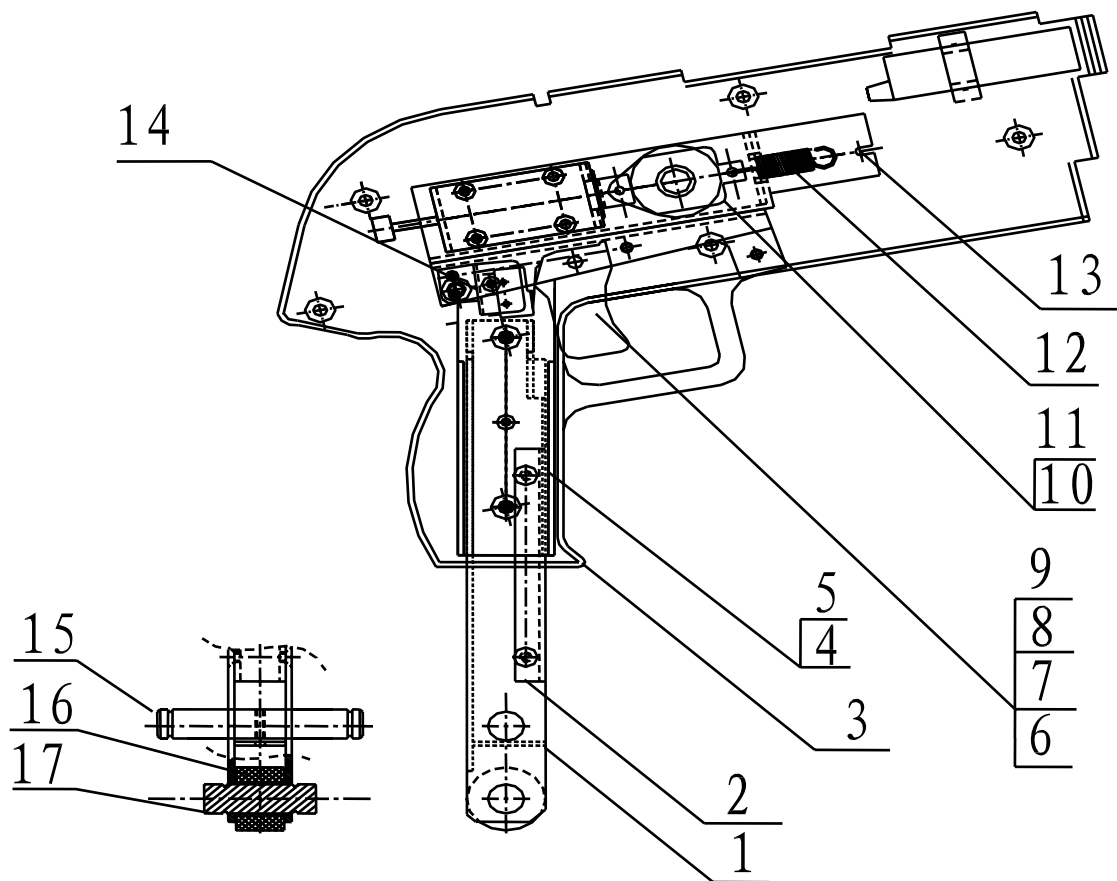
10 Game diagrams and schematics

10-1 Gun Base Assembly:



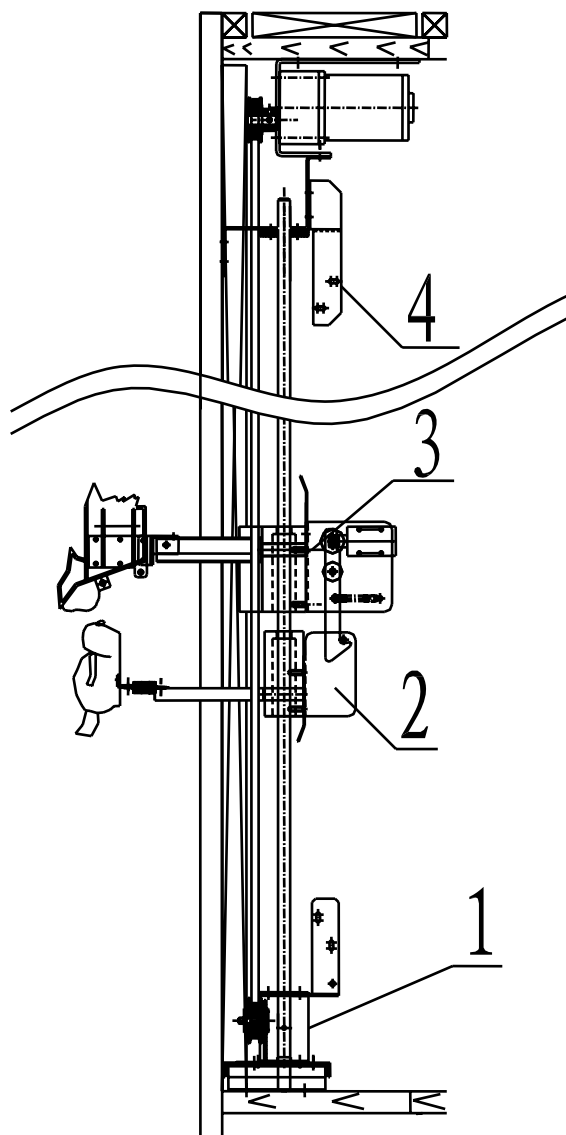
No.	Part No.	Name	Q'ty	SPEC.	Note
1	S103-001-000	Gun Assembly	1	Q235	
2	S103-601-000	Gun base shell	1	Plastic	
3	S103-106-000	Base bracket 1	1		
4	S103-107-000	Base bracket 3	2		
5	S103-108-000	Base bracket 2	1		
6	S103-109-000	Base assembly	1	Q235	
7	S103-110-000	Base bottom	1	Stainless steel	
8	S103-111-000	Block	2		
9	S103-002-000	Middle Assembly	1		
10	S103-112-000	Middle side panel 1	1	Stainless steel	
11	S103-113-000	Middle side panel 2	1	Stainless steel	
12	S103-114-000	Support panel 1	1	Stainless steel	
13	S103-115-000	Support panel 2	1	Stainless steel	
14	S103-116-000	Torsion spring	1	65Mn	
15	S103-617-000	Gun base circle plate	2	BLK PVC	
16	S103-602-000	Damping sleeve	1		
17	S103-117-000	Spacer 2	1	Brass	
18	S103-118-000	Spin base	1	Stainless steel	
19	S103-119-000	Space 1	1	Brass	
20	S103-130-000	Gun pin-1	1	Stainless steel	

10-2 Gun Assembly:



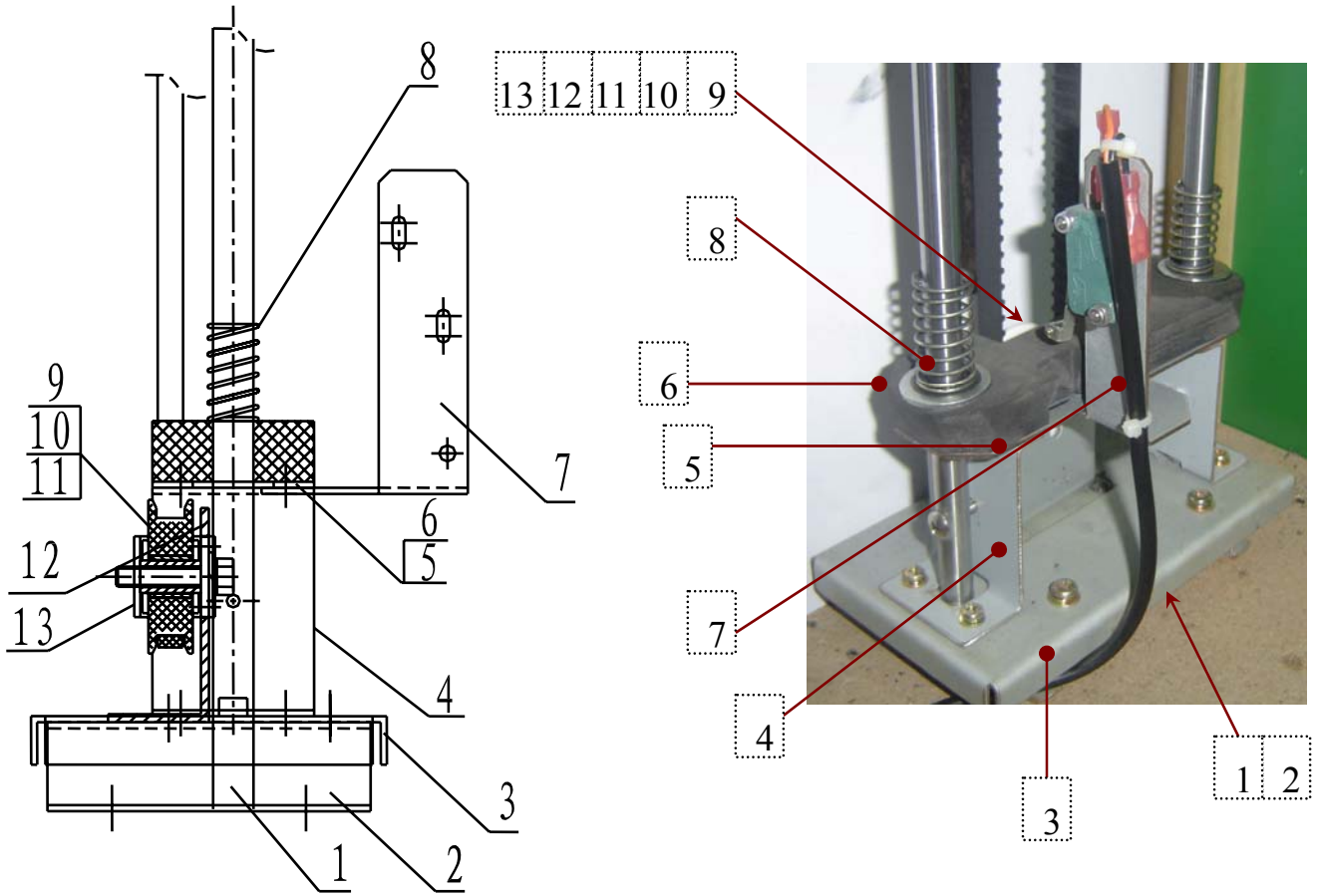
No.	Part No.	Name	Q'ty	SPEC.	Note
1	S103-120-000	Gun stock	1		
2	S103-121-000	Gunstock bracket	1		
3	S103-603-000	Gun	1	Plastic	
4	S103-122-000	Gun bracket-1	1		
5	S103-123-000	Gun bracket-2	1		
6	S103-124-000	Trigger	1		
7	S103-125-000	Trigger pin	1	Stainless steel	
8	S103-101-000	Trigger spring-1	1	65Mn	
9	S103-102-000	Trigger spring-2	1	65Mn	
10	S103-126-000	Shake drawplate	1	Stainless steel	
11	S103-604-000	Shake draw wheel	2	Nylon	
12	S103-127-000	Shake spring	1	65Mn	
13	S103-128-000	Shake draw pin	1	Stainless steel	
14	S103-129-000	Micro SW panel	1	Stainless steel	
15	S103-130-000	Gun pin-1	1	Stainless steel	
16	S103-605-000	Rubber	1		
17	S103-131-000	Gun pin-2	1	Stainless steel	

10-3 Elevate Assembly



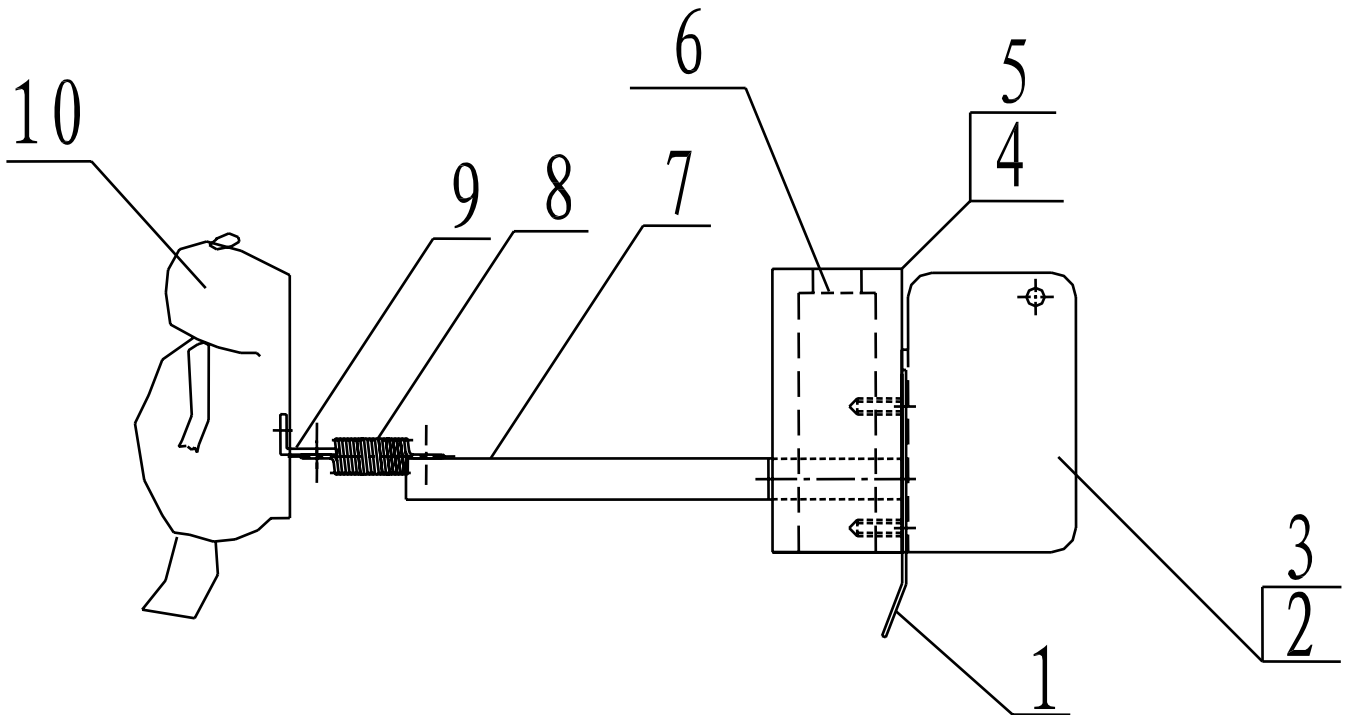
No.	Part No.	Name	Q'ty	SPEC.	Note
1	S103-003-000	Base Assy	3	Q235	
2	S103-004-000	Passive Assy	3	Q235	
3	S103-005-000	Initiative Assy	3	Q235	
4	S103-006-000	Upper base Assy	3	Q235	

10-3A Base Assembly



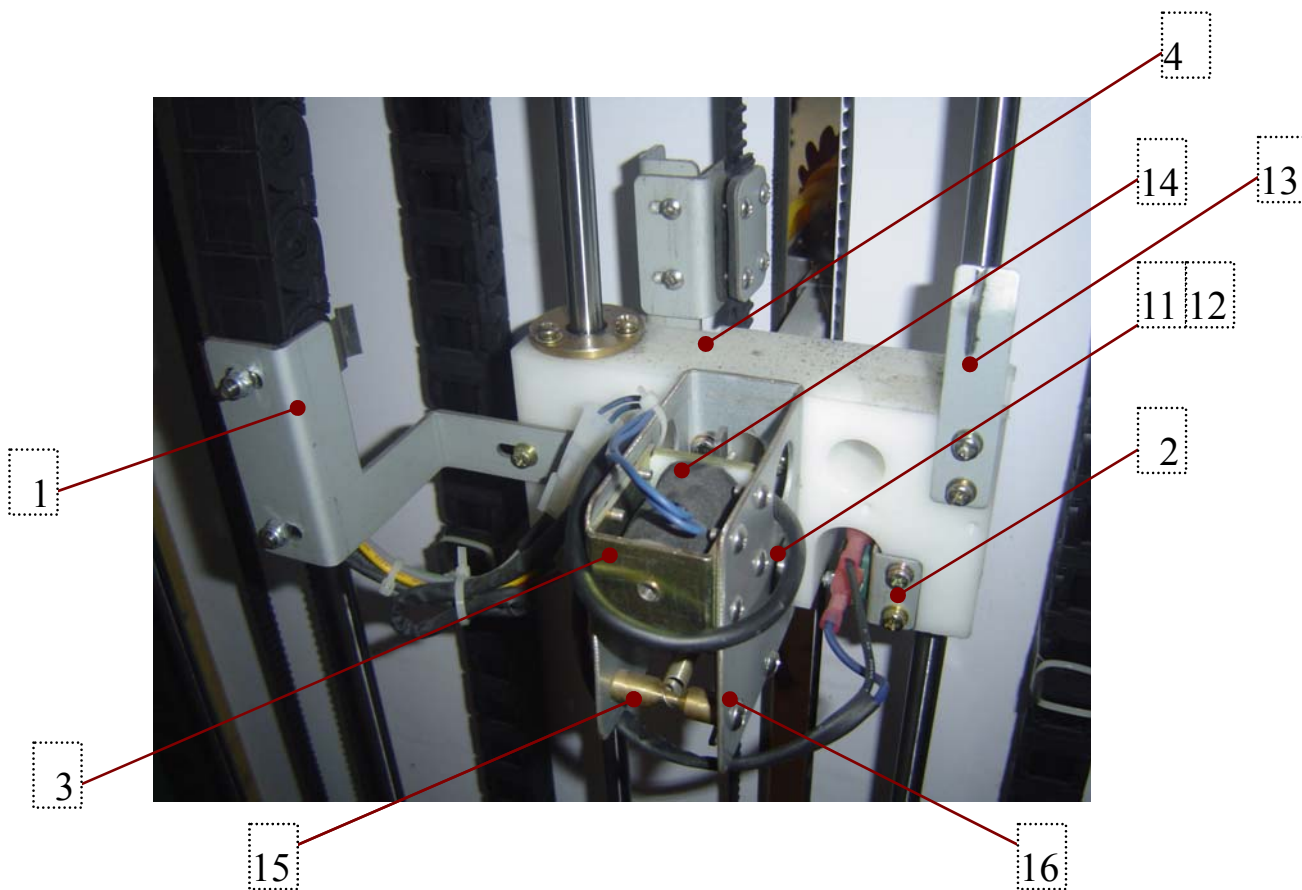
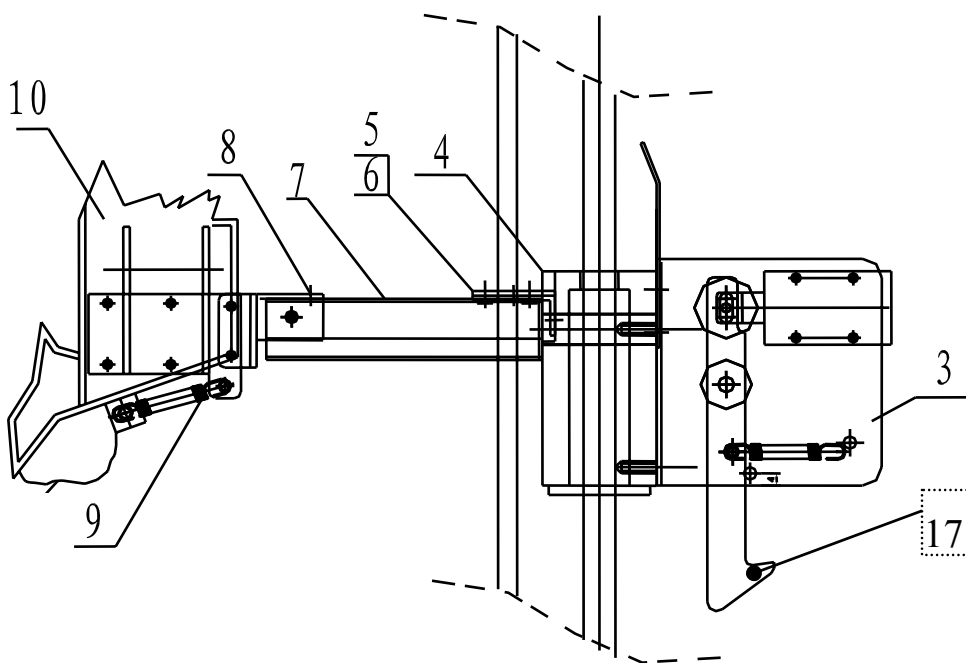
No.	Part No.	Name	Q'ty	Graphic	Note
1	S103-301-000	Guide track	6		
2	S103-132-000	Base	3		
3	S103-133-000	Upper Base	3		
4	S103-134-000	Bracket	6		
5	S103-135-000	Slide pressure spring	6		
6	S103-606-000	Board	3	$\delta=15\text{mm}$	
7	S103-136-000	Vibration damper plate	3		
8	S103-137-000	Switch	6	65Mn	
9	S103-607-000	Passive belt wheel	3	Nylon	
10	S103-138-000	Cover-1	3		
11	S103-139-000	Cover-2	3	Stainless steel	
12	S103-140-000	Passive belt wheel bracket	3		
13	S103-141-000	Support bracket	3		

10-3B Ladybug Assembly



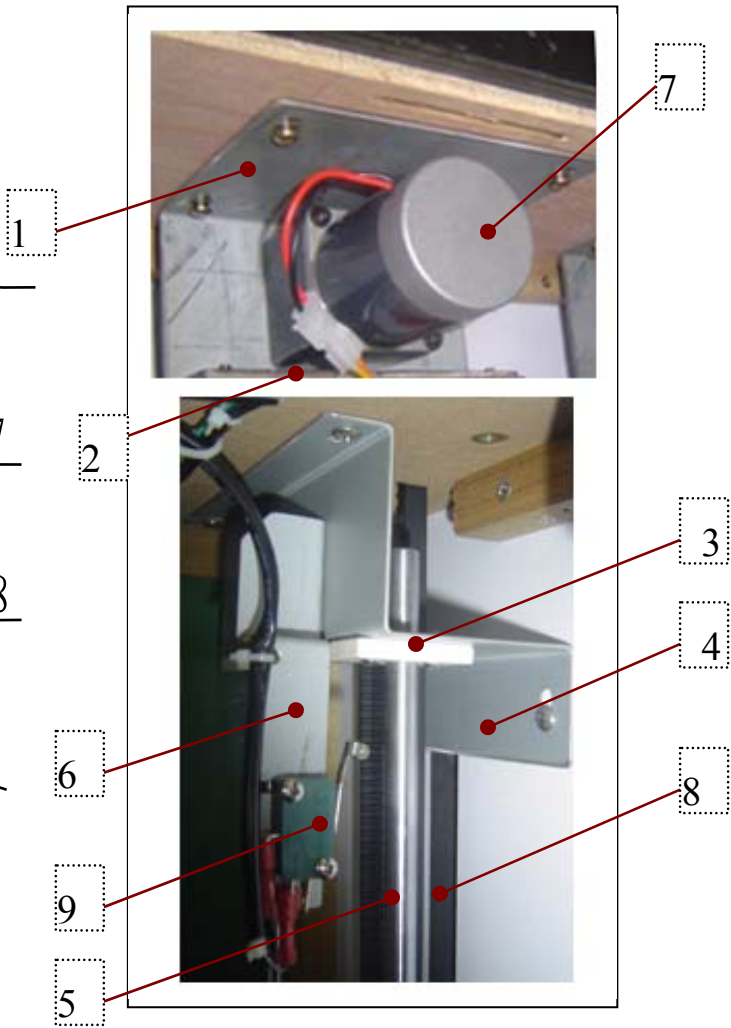
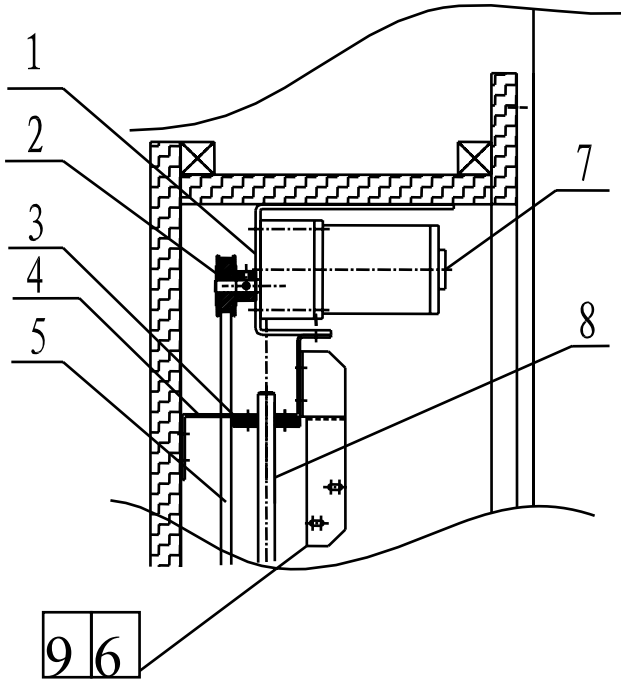
No.	Part No.	Name	Q'ty	SPEC.	Note
1	S103-142-000	Switch baffle	6	$\delta=1.5\text{MM}$	
2	S103-143-000	Gallows	3	$\delta=1\text{MM}$	
3	S103-144-000	Pin	9		
4	S103-608-000	Glide block	3	Nylon	
5	S103-145-000	Flange	3		
6	S103-412-000	Bearing	3	$\phi 10$	
7	S103-146-000	Hanging shelf	3	$\delta=1\text{MM}$	
8	S103-147-000	Ladybug tension spring	3	65MN	
9	S103-148-000	Ladybug bracket	3	$\delta=1.5\text{MM}$	
10	S103-609-000	Ladybug	3	Plastic	

10-3C Initiative Assembly



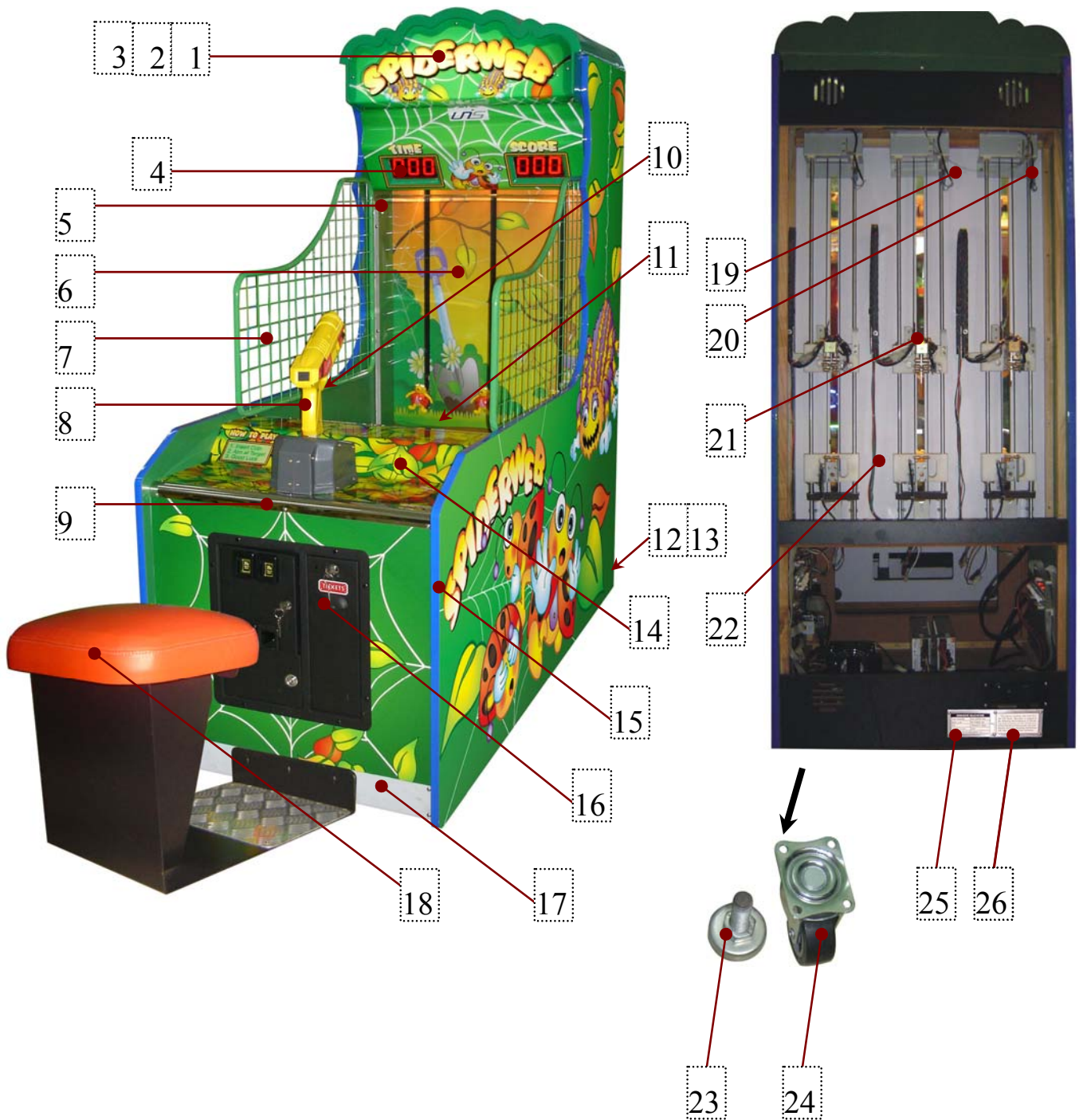
No.	Part No.	Name	Q'ty	SPEC.	Note
1	S103-149-000	Harness bracket	3		
2	S103-150-000	Micro-SW bracket	3		
3	S103-151-000	Up and Down assembly	3	Q235	
4	S103-610-000	Top block	3	Nylon	
5	S103-152-000	Belt panel 1	3		
6	S103-153-000	Belt panel 2	3		
7	S103-154-000	Hung shelf	3		
8	S103-155-000	Spider bracket	3		
9	S103-156-000	Spider bottom spring	3	65Mn	
10	S103-611-000	Spider	3		
11	S103-302-000	Pin shaft 1	3	Stainless Steel	
12	S103-303-000	Pin shaft sleeve	3	Stainless Steel	
13	S103-142-000	SW block	6		
14	S103-413-000	Electromagnet	3	SH-1040	
15	S103-144-000	Hung Pin	9		
16	S103-157-000	Holding bracket	3		
17	S103-158-000	Hunging hook	3	Stainless steel	

10-3D Top Assembly



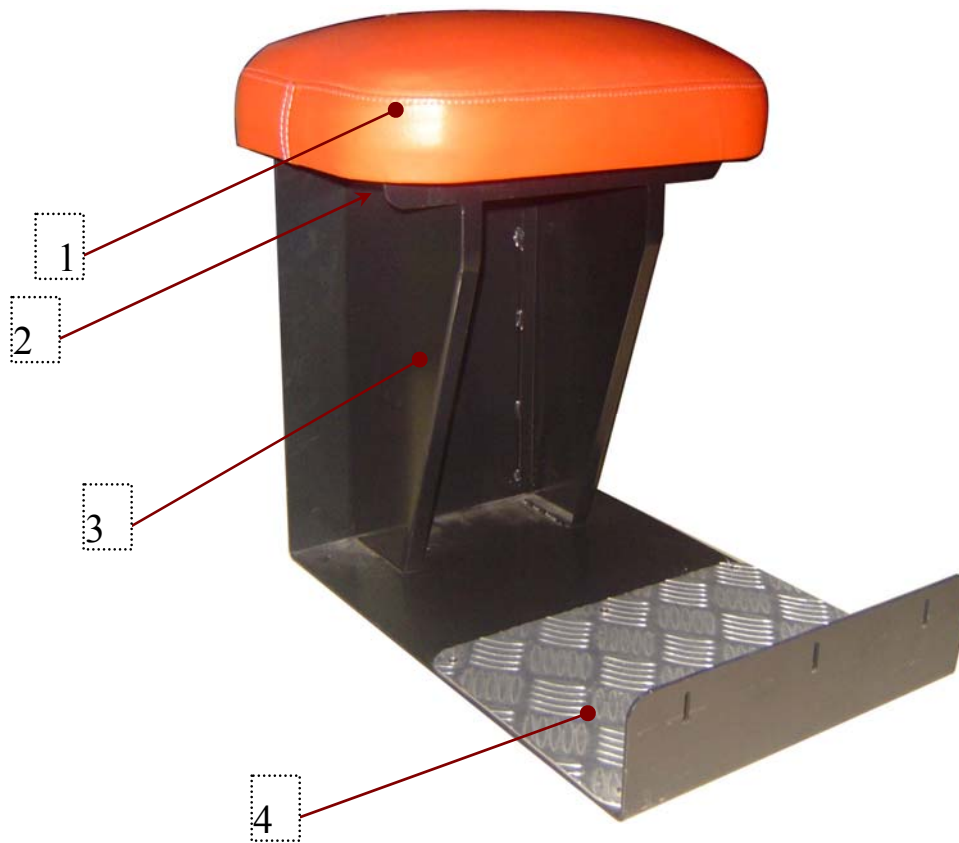
No.	Part No.	Name	Q'ty	Name	Note
1	S103-159-000	Motor bracket	3	Q235	
2	S103-160-000	synchronous pulley	3	Aluminum alloy	
3	S103-612-000	Bracket cover	3	Nylon	
4	S103-161-000	Motor holder	3	Q235	
5	S103-301-000	Guide rail	3		
6	S103-162-000	Micro-SW bracket 2	3	Q235	
7	S103-414-000	SPG Motor	3	S6D10-12A30B	
8	S103-613-000	Belt	3	85XL037GB13487-2002	
9	S103-405-000	Micro	3		

10-4A Overall:



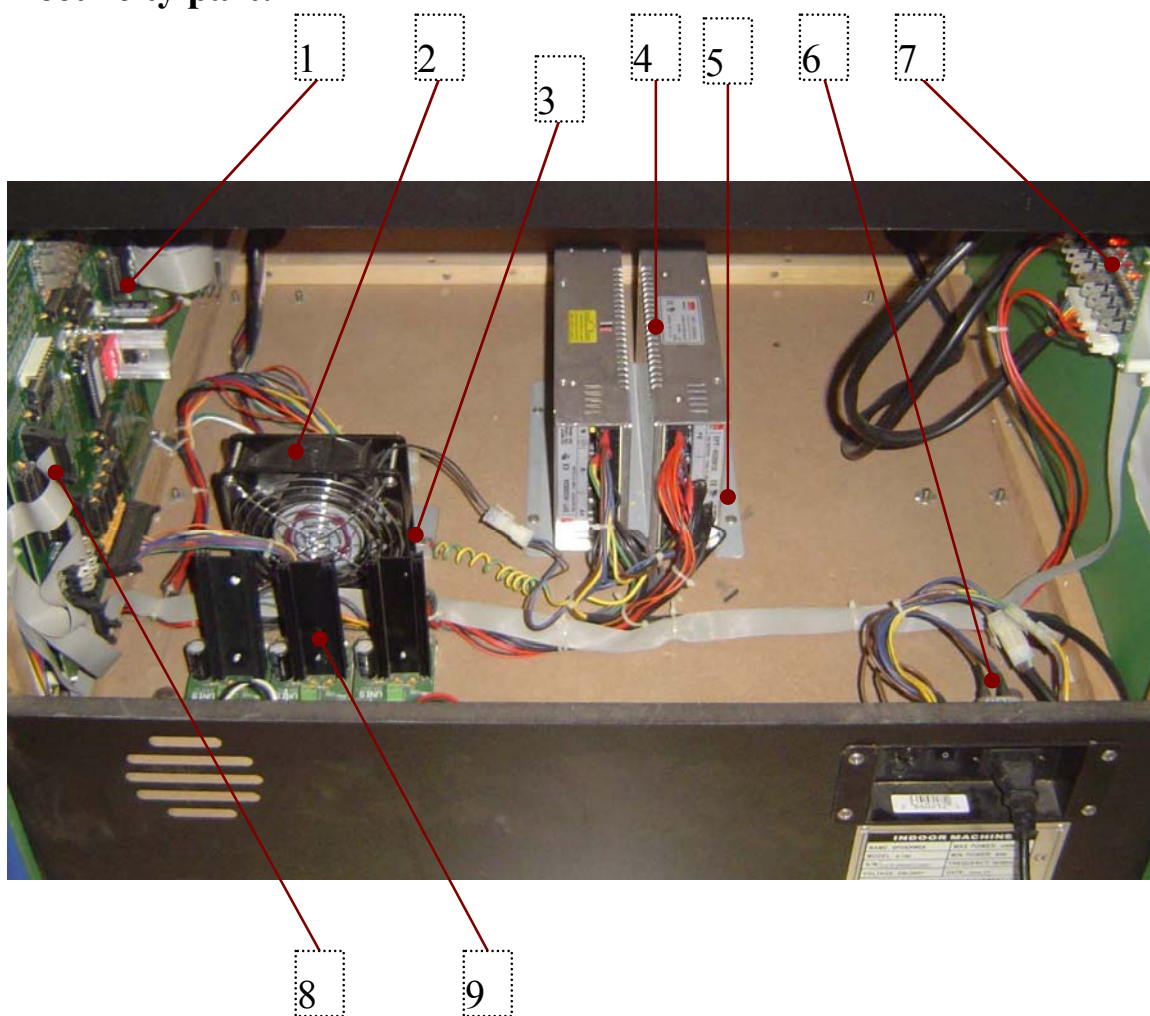
No.	Part No.	Name	Q'ty	SPEC.	Note
1	S103-614-000	Marquee	1	Fiberglass	
2	S103-163-000	Spot light holder	1		
3	S103-415-000	Fluorescent lamp	1	MXT5 Y14/110	
4	S103-807-000	Display	2	LED23B3	
5	S103-164-000	Capped edge	1	Stainless steel	
6	S103-615-000	Background plastic	1	4mm	
7	S103-165-000	Side net	2	Q235	
8	S103-007-000	Gun Assembly	1		
9	S103-166-000	Control panel edge-2	1	Stainless steel	
10	S103-167-000	Side net holder	2	Stainless steel	
11	S103-168-000	Playfield edge-1	1	Stainless steel	
12	S103-169-000	Cabinet connected panel -1	1		
13	S103-170-000	Cabinet connected panel -2	1		
14	S103-416-000	Speaker	2	8Ω/15W	
15	S103-008-000	T-molding	1		
16	S103-009-000	Triple coin door	1	Assembly	
17	S103-171-000	Front panel bottom edge	1	Stainless steel	
18	S103-010-000	Seat	1	Assembly	
19	S103-172-000	Hook	1	Stainless steel	
20	S103-173-000	Hook holder	1		
21	S103-011-000	Up and down Assembly	1		
22	S103-417-000	Harness	3		
23	S103-418-000	Leveller	4		
24	S103-419-000	Castor	4		
25	S103-702-000	Information plate	1		
26	S103-703-000	Service information	1		

10-4B The Seat:



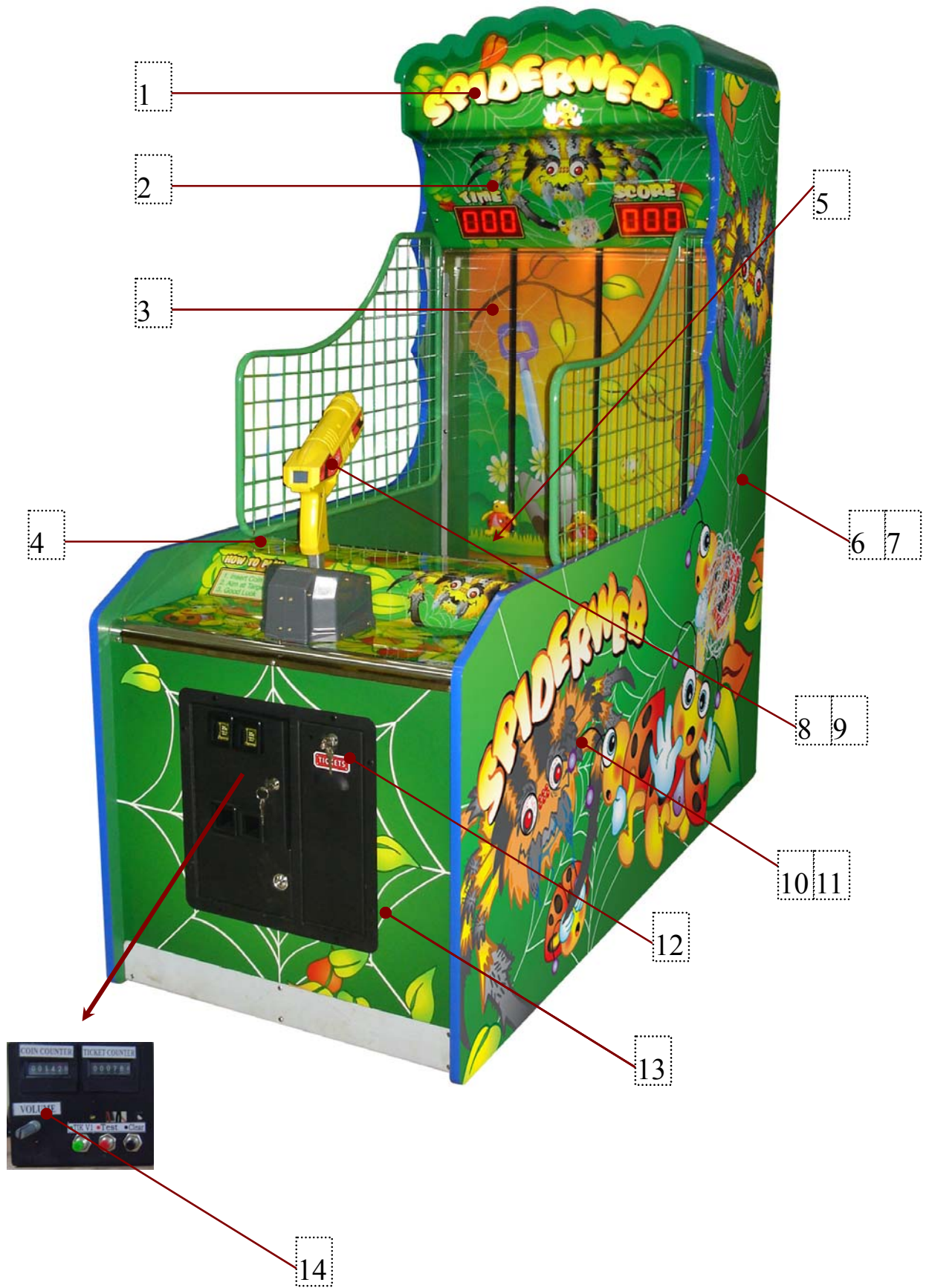
No.	Part No.	Name	Q'ty	Spec.	Note
1	S103-616-000	Cushion	1	red	
2	S103-501-000	Seat panel	1	15mm plywood	
3	S103-174-000	Seat holder	1	Q235A	
4	S103-175-000	Diamond plate	1	3mm Aluminium	

10-4C Electricity part:



No.	Part No.	Name	Q'ty	Spec.	Note
1	S103-808-000	Sound board	1	SY MUSIC01	
2	S103-420-000	Vent	1	SONNO SP100A	
3	S103-176-000	Vent holder	1		
4	S103-421-000	Power Supply	1		
5	S103-177-000	Power supply holder	1		
6	S103-422-000	Outlet Assembly	1		
7	S103-809-000	Lamp control board	1	L-CTRL.PCB V1.0	
8	S103-810-000	Mainboard	1	PRAYC8F	
9	S103-812-000	Motor control board	3	DJKZLPCB V1.1	

10-4D Graphic:



No.	Part No.	NAME	Q'TY	Graphic	NOTE
1	S103-704-000	Marquee graphic	1	Plastic	
2	S103-705-000	Display graphic	1	sticker	
3	S103-706-000	Main playfield graphic	1	Plastic	
4	S103-707-000	Control panel graphic	1	Plastic	
5	S103-708-000	Underground graphic	1	Plastic	
6	S103-709-000	R Side back graphic	1	Sticker	
7	S103-710-000	L Side back graphic	1	Sticker	
8	S103-711-000	Gun sticker L	1	Sticker	
9	S103-712-000	Gun sticker R	1	Sticker	
10	S103-713-000	R Side Front graphic	1	Sticker	
11	S103-714-000	L Side Front graphic	1	Sticker	
12	S103-715-000	Ticket label	1	Sticker	
13	S103-716-000	Front door graphic	1	Sticker	
14	S103-717-000	Coin counter Sticker	1		